

**SUBMITTAL RECORD**

JOB \_\_\_\_\_  
 LOCATION \_\_\_\_\_  
 SUBMITTED TO \_\_\_\_\_  
 SUBMITTAL PREPARED BY \_\_\_\_\_  
 APPROVED BY \_\_\_\_\_  
 DATE \_\_\_\_\_

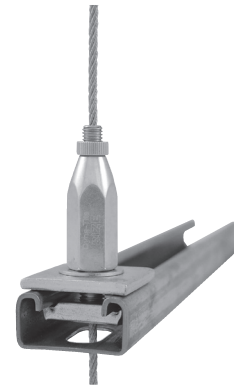


# Submittal Form

## Strut Lock Assembly

### DESCRIPTION

The Strut Lock Assembly is a fast, lockable solution for installing Dyn-O-Strut in single and multi-tiered arrangements, for HVAC and cable management. It is ideal for the suspension of rectangular duct, chilled beams, cable tray, unit heaters, etc. The ability to pre-fit the assembly into the strut channel on the ground, allows for minimal time working at heights. A threaded release cylinder allows for time saving height adjustment.



### WARNINGS

**ALWAYS CONFIRM ENGAGEMENT OF CABLE LOCK ON WIRE BEFORE APPLYING THE LOAD:** By pushing the adjustment pin in the opposite direction of the arrows on the cable lock and then pulling the cable also in the opposite direction of the arrows on the cable lock.

**PULL ADJUSTMENT PIN BACK AND PASS WIRE ROPE THROUGH DYNA-TITE CABLE LOCK:** Failure to pull adjustment pin first may cause damage to serrated teeth and reduce holding capacity.

**TO ENSURE HANGING SYSTEM INTEGRITY AND SAFETY:** Use only Duro Dyne wire rope.

**WORKING LOAD LIMIT (WLL) MUST FALL WITHIN THE STATED WORKING LOAD RANGE OF THE CABLE LOCK:** Each product is load rated and incorporates a minimum safety factor of 5:1. This WLL takes into account the specification criteria of the Dyna-Tite Cable Lock and the wire rope.

**DO NOT USE ON COATED WIRE ROPE:** It is important to maintain the metal to metal contact between the locking pawls in the Dyna-Tite and the wire rope.

**SPRAY PAINTING:** of the Dyna-Tite Cable Hanging System after installation is acceptable, at the installing contractor's discretion, if the installing contractor physically confirms engagement of each cable lock on the cable prior to and after painting, and in strict accordance with the Dyna-Tite Installation Instructions. Brush painting is not acceptable. Do not paint Cable or Cable Lock prior to installation. Do not reposition Cable Lock after painting.

**DO NOT APPLY LUBRICANT:** to any part of the assembly as this will alter the surface nature of the wire rope and attract dirt and debris.

**DO NOT USE FOR LIFTING:** (Under Hook slings) This product is designed for static load applications only.

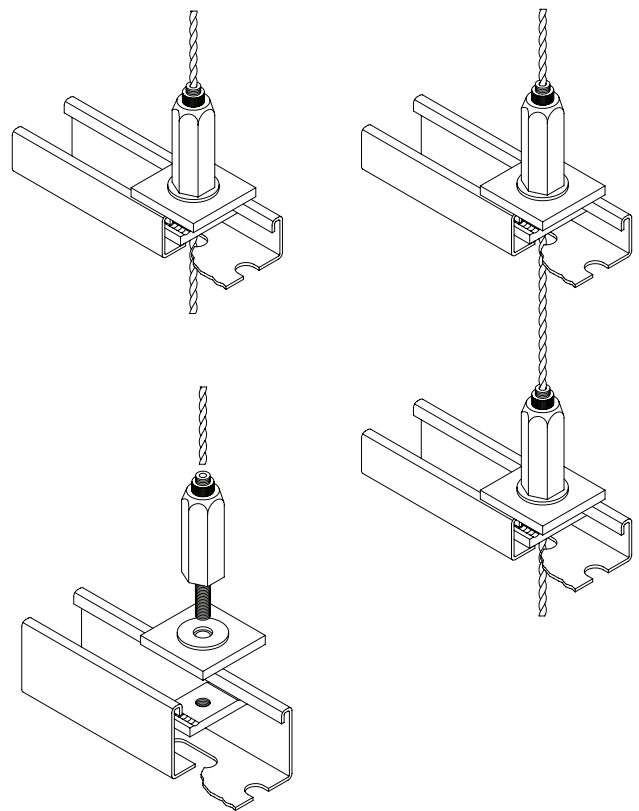
**KEEP THE PRODUCT CLEAN AND FREE FROM DIRT:** Any dirt should be removed from the product prior to assembly.

**INSPECT PERIODICALLY:** Upon inspection, discard and replace if worn, distorted, or damaged.

**REMOVE DAMAGED WIRE ENDS:** Using a designated pair of wire rope cutters prior to inserting into the Dyna-Tite Cable Lock.

**WHEN INSTALLING DURO DYNE DYNA-TITE CABLE ATTACHMENTS:** to buildings or equipment careful consideration must be made to the attachment method and the material being attached to. It is the responsibility of the installer for the proper selection, installation and appropriateness of the attachment to the job specifications and any codes. Duro Dyne can give general guidance, but any questions regarding this should ultimately be directed to the project engineer of the job.

**FOR DRY LOCATIONS ONLY**  
**DO NOT USE IN CHLORINATED ATMOSPHERES SUCH AS POOLS AND NATATORIUM**  
**GYMNASIUM INSTALLS MUST BE USING LOCKING CABLE LOCKS ONLY**



Please see our Dyna-Tite testing and warnings webpage for the most detailed list of warnings:  
<http://www.durodyne.com/DTTesting.php>

Item #	Code	Description	Packaged	Working Load*
31080	DSL3Z	Strut Lock Assembly for use with WC3 Wire Rope	10 sets/bag	25-150 lbs. (12-68 kg)
31081	DSL4Z	Strut Lock Assembly for use with WC4 Wire Rope	10 sets/bag	25-225 lbs. (12-102 kg)

\*Safe Working Loads are based on a 4:1 Safety Factor

\*\*WARNING: Always ensure the anchor point or base material are suitable to support the intended load, at the installer's responsibility

Duro Dyne Corporate Headquarters, Bay Shore, NY  
 631-249-9000 • Fax: 631-249-8346

Duro Dyne Midwest • Duro Dyne West • Duro Dyne Canada  
[www.durodyne.com](http://www.durodyne.com) • E-mail: [durodyne@durodyne.com](mailto:durodyne@durodyne.com)



1/13/2025  
 BO030431