

SUBMITTAL RECORD _____
 JOB _____
 LOCATION _____
 SUBMITTED TO _____
 SUBMITTAL PREPARED BY _____
 APPROVED BY _____
 DATE _____



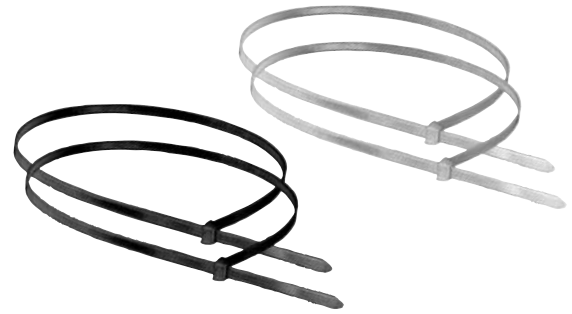
Submittal Form DN & DNC Dyn-O-Ties®

DESCRIPTION

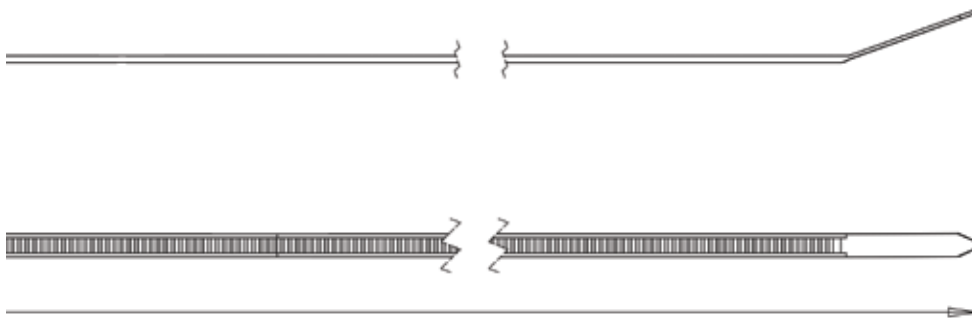
Whenever your job calls for securing round flexible duct to outlets, pipes or fittings, you can do the job better, faster, and at a lower cost using DYN-O-TIES®, flexible duct ties. DYN-O-TIES, when properly installed, provide a secure connection of flexible duct listed by Underwriters Laboratories Inc., class 1.

STORAGE

To ensure superior performance, nylon cable tie products should be stored in a sealed polyethylene bag at room temperature in at least 50% humidity (recommended 80% RH). Limit the exposure of unused cable ties to extreme heat and cold. Should cable ties be exposed to extreme temperatures and/or extreme relative humidity, store at room temperature and at least 50% humidity (recommended 80% RH) for at least 24 hrs in a sealed bag prior to further use.



NYLON
6/6 V2 – available in five sizes
V-2 Flame rated
Fungus inert
Normal service temp. range: – 40° F to 185° F
Test Results*: Nylon -175 lbs-



*Note: Ties are tested to CSA C22.2NO.62275/ UL62275. Test Method: Tie is secured at both ends forming a loop. A weight is suspended from the bottom of loop to determine tensile strength of DYN-O-TIE strap.

ITEM #	CODE	DESCRIPTION	COLOR	LENGTH	MAX. DIA.	PKG.	PKG/CTN
8311	DN36	Nylon - USA Made	Natural	36"	11"	25	20
8305	DN48	Nylon - USA Made	Natural	48"	14"	25	20
8322	DN36	Nylon - USA Made	Natural	36"	11"	50	10
8323	DN48	Nylon - USA Made	Natural	48"	14"	50	10
8312	DNC36	Nylon - USA Made	Natural	36"	11"	100	5

Duro Dyne East Division, Bay Shore, NY 631-249-9000 Fax: 631-249-8346
 Duro Dyne Midwest Division, Hamilton, OH 513-870-6000 Fax: 513-870-6005
 Duro Dyne West Division, Fontana, CA 562-926-1774 Fax: 562-926-5778
 Duro Dyne Canada, Lachine, Quebec, Canada 514-422-9760 Fax: 514-636-0328
 www.durodyne.com E-mail: durodyne@durodyne.com

