

SUBMITTAL RECORD _____
 JOB _____
 LOCATION _____
 SUBMITTED TO _____
 SUBMITTAL PREPARED BY _____
 APPROVED BY _____
 DATE _____



Submittal Form BOCA Safety Nail Plate

DESCRIPTION:

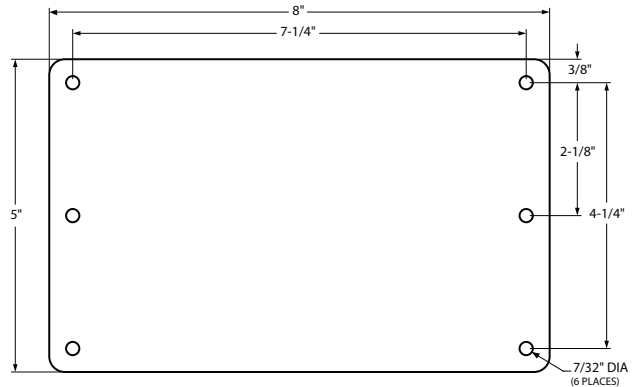
Duro Dyne is offering a variety of Nail Plates and Hangers. All of these products are made in the U.S.A. with U.S.A. steel.

FEATURES:

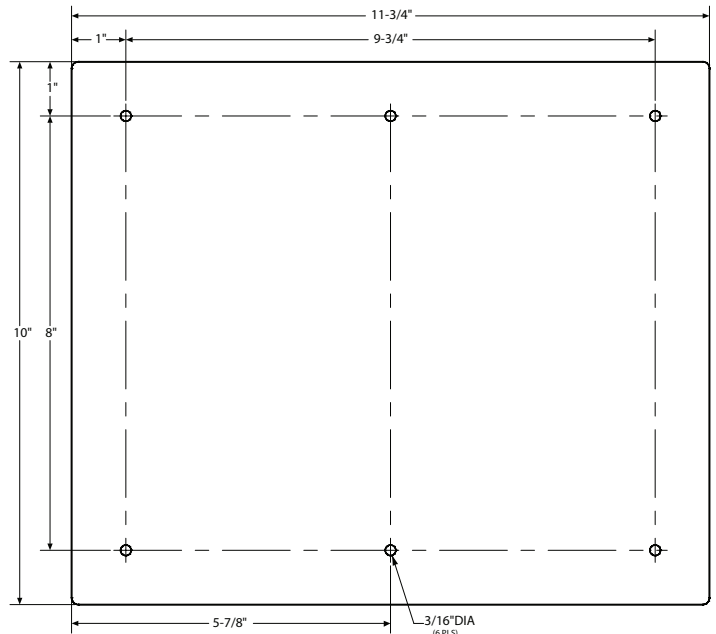
- Made in USA
- 16 ga cold rolled steel or galvanized, depending on market availability
- Rounded safety corners
- Available as standard or Self-Nailing

Item #	Code	Description	Quantity
70046	BOCA1658	BOCA Safety Plate 5in x 8in 16ga	50/Box
70121	BOCA161210-6HE	BOCA Safety Plate 12in x 10in 16ga	25/Box
70275	SNBOCA163.56	Self-Nailing BOCA Safety Plate 3.5in x 6in 16ga	50/Box
70048	SNBOCA1645	Self-Nailing BOCA Safety Plate 4in x 5in 16ga	50/Box
70047	SNBOCA1658	Self-Nailing BOCA Safety Plate 5in x 8in 16 ga	50/Box

70046 - BOCA Safety Plate 5in x 8in 16ga



70121 - BOCA Safety Plate 12in x 10in 16ga



Duro Dyne Corporate Headquarters, Bay Shore, NY
 631-249-9000 • Fax: 631-249-8346

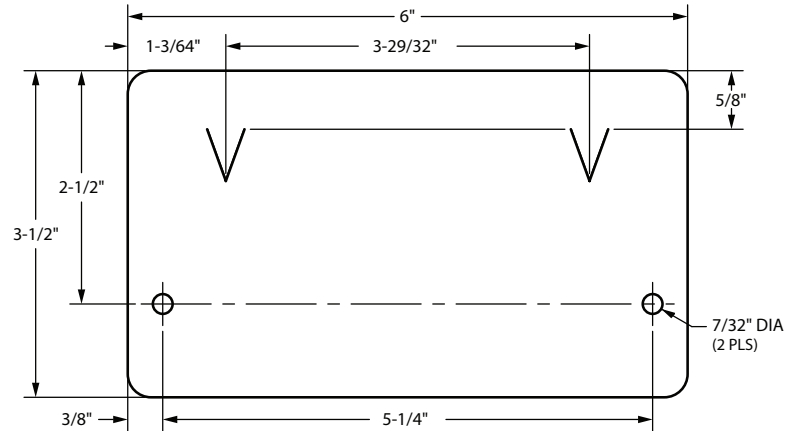
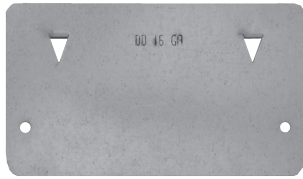
Duro Dyne Midwest • Duro Dyne West • Duro Dyne Canada
 www.durodyne.com • E-mail: durodyne@durodyne.com



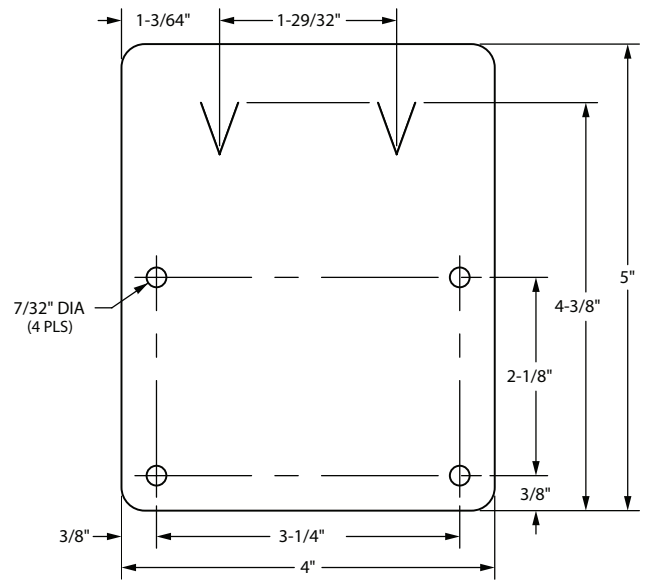
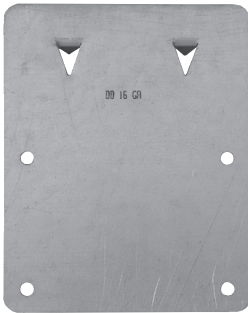
©2021 Duro Dyne Corporation
 Printed in USA 6/2021
 BO050045

Submittal Form BOCA Safety Plates

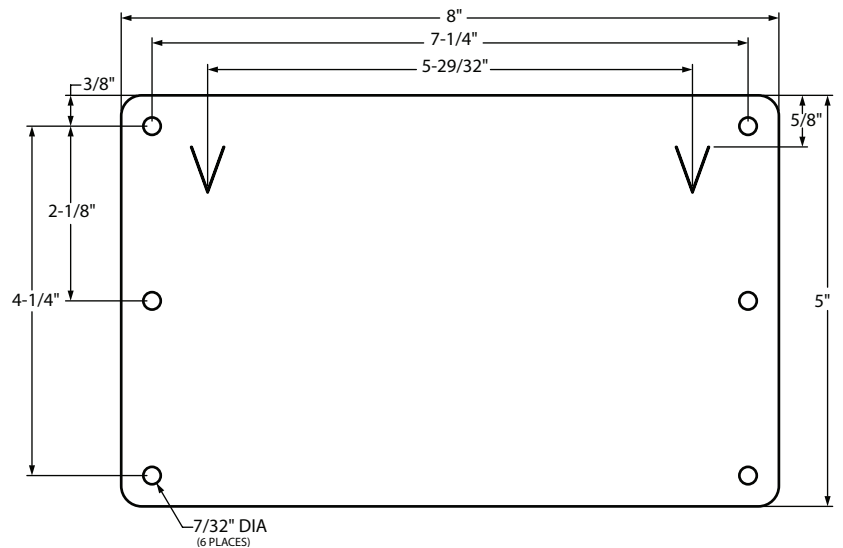
70275 - Self-Nailing BOCA Safety Plate 3.5in x 6in 16ga



70048 - Self-Nailing BOCA Safety Plate 4in x 5in 16ga



70047 - Self-Nailing BOCA Safety Plate 5in x 8in 16ga



Duro Dyne Corporate Headquarters, Bay Shore, NY
631-249-9000 • Fax: 631-249-8346

Duro Dyne Midwest • Duro Dyne West • Duro Dyne Canada
www.durodyne.com • E-mail: durodyne@durodyne.com



©2021 Duro Dyne Corporation
Printed in USA 6/2021
BO050045