

SUBMITTAL RECORD

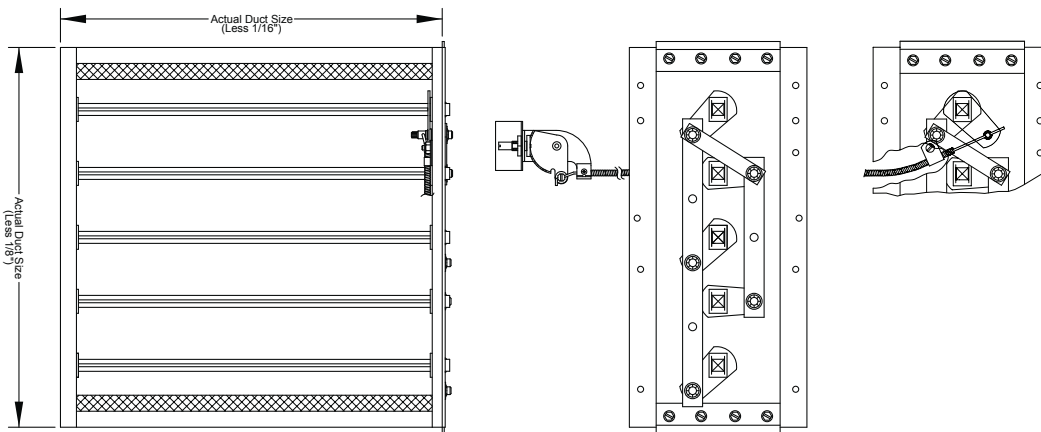
JOB _____
 LOCATION _____
 SUBMITTED TO _____
 SUBMITTAL PREPARED BY _____
 APPROVED BY _____
 DATE _____



Submittal Form
Rectangular Internal
Gear Driven
Cable Operated Damper

DESCRIPTION:

Installation of a gear driven cable operated damper allows the balancing contractor a convenient way to adjust air volume from a more accessible location without having to access the ceiling. The gear driven cable operated damper is mounted upstream of the air device with the control cable inside of the airstream. The actuator at the end of the adjustment cable is accessible from the diffuser grille. The gear actuator features a hex head so adjustments can be made easily and then locked in place with a standard 1/4" screwdriver or nut driver.



Damper Specifications			
Damper Component	Material	Width	Depth
Frame	Extruded Aluminum	4-1/16"	1/2"
Face Plate	Extruded Aluminum	5-9/16" (includes two 3/4" flanges)	5/16"
Blade	Extruded Aluminum	2-3/4"	3/32"
Gasket (on even heights only)	Vinyl Nitrile	3/4"	1/2"
Bushings for blades are nylon 5/8" outside diameter with a 3/8" square hole			
All blade linkage is 16 gage galvanized steel			
Cable Specifications			
Case O.D.	Case I.D.	Casing Material	Solid Core Wire Size
.187	.080	Galvanized Steel	.055 Stainless Steel

Gear drive cable operated dampers from Duro Dyne are sold completely assembled with a manufacturer installed cable.

SUGGESTED SPECIFICATIONS:

Rectangular Internal Gear Driven Cable Operated Dampers shall be Duro Dyne Brand type dampers. Dampers shall be manufactured of G60 or better galvanized steel. Cable case shall be galvanized steel, solid core control wire shall be stainless steel, and manufacturer installed. Installation shall be as described in the Duro Dyne gear driven cable operated damper instructions. Sizes and locations shall be as indicated on the mechanical drawings.

Duro Dyne East Division, Bay Shore, NY	631-249-9000	Fax: 631-249-8346
Duro Dyne Midwest Division, Hamilton, OH	513-870-6000	Fax: 513-870-6005
Duro Dyne West Division, Fontana, CA	562-926-1774	Fax: 562-926-5778
Duro Dyne Canada, Lachine, Quebec, Canada	514-422-9760	Fax: 514-636-0328
www.durodyne.com E-mail: durodyne@durodyne.com		





Submittal Form

Rectangular Internal Gear Driven Cable Operated Damper

ORDERING INFORMATION - INTERNAL CABLE

Description	3 foot Cable		5 foot Cable		8 foot Cable		10 foot Cable		15 foot Cable	
	Item #	Code	Item #	Code	Item #	Code	Item #	Code	Item #	Code
8x4 Rectangular Cab Op Damper	56001	GCODS080403	56002	GCODS080405	56003	GCODS080408	56004	GCODS080410	56005	GCODS080415
10x4 Rectangular Cab Op Damper	56006	GCODS100403	56007	GCODS100405	56008	GCODS100408	56009	GCODS100410	56010	GCODS100415
12x4 Rectangular Cab Op Damper	56011	GCODS120403	56012	GCODS120405	56013	GCODS120408	56014	GCODS120410	56015	GCODS120415
14x4 Rectangular Cab Op Damper	56016	GCODS140403	56017	GCODS140405	56018	GCODS140408	56019	GCODS140410	56020	GCODS140415
6x6 Rectangular Cab Op Damper	56021	GCODS060603	56022	GCODS060605	56023	GCODS060608	56024	GCODS060610	56025	GCODS060615
8x6 Rectangular Cab Op Damper	56026	GCODS080603	56027	GCODS080605	56028	GCODS080608	56029	GCODS080610	56030	GCODS080615
10x6 Rectangular Cab Op Damper	56031	GCODS100603	56032	GCODS100605	56033	GCODS100608	56034	GCODS100610	56035	GCODS100615
12x6 Rectangular Cab Op Damper	56036	GCODS120603	56037	GCODS120605	56038	GCODS120608	56039	GCODS120610	56040	GCODS120615
14x6 Rectangular Cab Op Damper	56041	GCODS140603	56042	GCODS140605	56043	GCODS140608	56044	GCODS140610	56045	GCODS140615
16x6 Rectangular Cab Op Damper	56046	GCODS160603	56047	GCODS160605	56048	GCODS160608	56049	GCODS160610	56050	GCODS160615
18x6 Rectangular Cab Op Damper	56051	GCODS180603	56052	GCODS180605	56053	GCODS180608	56054	GCODS180610	56055	GCODS180615
20x6 Rectangular Cab Op Damper	56056	GCODS200603	56057	GCODS200605	56058	GCODS200608	56059	GCODS200610	56060	GCODS200615
22x6 Rectangular Cab Op Damper	56061	GCODS220603	56062	GCODS220605	56063	GCODS220608	56064	GCODS220610	56065	GCODS220615
24x6 Rectangular Cab Op Damper	56066	GCODS240603	56067	GCODS240605	56068	GCODS240608	56069	GCODS240610	56070	GCODS240615
8x8 Rectangular Cab Op Damper	56071	GCODS080803	56072	GCODS080805	56073	GCODS080808	56074	GCODS080810	56075	GCODS080815
10x8 Rectangular Cab Op Damper	56076	GCODS100803	56077	GCODS100805	56078	GCODS100808	56079	GCODS100810	56080	GCODS100815
12x8 Rectangular Cab Op Damper	56081	GCODS120803	56082	GCODS120805	56083	GCODS120808	56084	GCODS120810	56085	GCODS120815
14x8 Rectangular Cab Op Damper	56086	GCODS140803	56087	GCODS140805	56088	GCODS140808	56089	GCODS140810	56090	GCODS140815
16x8 Rectangular Cab Op Damper	56091	GCODS160803	56092	GCODS160805	56093	GCODS160808	56094	GCODS160810	56095	GCODS160815
18x8 Rectangular Cab Op Damper	56096	GCODS180803	56097	GCODS180805	56098	GCODS180808	56099	GCODS180810	56100	GCODS180815
20x8 Rectangular Cab Op Damper	56101	GCODS200803	56102	GCODS200805	56103	GCODS200808	56104	GCODS200810	56105	GCODS200815
22x8 Rectangular Cab Op Damper	56106	GCODS220803	56107	GCODS220805	56108	GCODS220808	56109	GCODS220810	56110	GCODS220815
24x8 Rectangular Cab Op Damper	56111	GCODS240803	56112	GCODS240805	56113	GCODS240808	56114	GCODS240810	56115	GCODS240815
10x10 Rectangular Cab Op Damper	56116	GCODS101003	56117	GCODS101005	56118	GCODS101008	56119	GCODS101010	56120	GCODS101015
12x10 Rectangular Cab Op Damper	56121	GCODS121003	56122	GCODS121005	56123	GCODS121008	56124	GCODS121010	56125	GCODS121015
14x10 Rectangular Cab Op Damper	56126	GCODS141003	56127	GCODS141005	56128	GCODS141008	56129	GCODS141010	56130	GCODS141015
16x10 Rectangular Cab Op Damper	56131	GCODS161003	56132	GCODS161005	56133	GCODS161008	56134	GCODS161010	56135	GCODS161015
18x10 Rectangular Cab Op Damper	56136	GCODS181003	56137	GCODS181005	56138	GCODS181008	56139	GCODS181010	56140	GCODS181015
20x10 Rectangular Cab Op Damper	56141	GCODS201003	56142	GCODS201005	56143	GCODS201008	56144	GCODS201010	56145	GCODS201015
22x10 Rectangular Cab Op Damper	56146	GCODS221003	56147	GCODS221005	56148	GCODS221008	56149	GCODS221010	56150	GCODS221015
24x10 Rectangular Cab Op Damper	56151	GCODS241003	56152	GCODS241005	56153	GCODS241008	56154	GCODS241010	56155	GCODS241015
12x12 Rectangular Cab Op Damper	56156	GCODS121203	56157	GCODS121205	56158	GCODS121208	56159	GCODS121210	56160	GCODS121215
14x12 Rectangular Cab Op Damper	56161	GCODS141203	56162	GCODS141205	56163	GCODS141208	56164	GCODS141210	56165	GCODS141215
16x12 Rectangular Cab Op Damper	56166	GCODS161203	56167	GCODS161205	56168	GCODS161208	56169	GCODS161210	56170	GCODS161215
18x12 Rectangular Cab Op Damper	56171	GCODS181203	56172	GCODS181205	56173	GCODS181208	56174	GCODS181210	56175	GCODS181215
20x12 Rectangular Cab Op Damper	56176	GCODS201203	56177	GCODS201205	56178	GCODS201208	56179	GCODS201210	56180	GCODS201215
22x12 Rectangular Cab Op Damper	56181	GCODS221203	56182	GCODS221205	56183	GCODS221208	56184	GCODS221210	56185	GCODS221215
24x12 Rectangular Cab Op Damper	56186	GCODS241203	56187	GCODS241205	56188	GCODS241208	56189	GCODS241210	56190	GCODS241215

Duro Dyne East Division, Bay Shore, NY
 Duro Dyne Midwest Division, Hamilton, OH
 Duro Dyne West Division, Fontana, CA
 Duro Dyne Canada, Lachine, Quebec, Canada

631-249-9000 Fax: 631-249-8346
 513-870-6000 Fax: 513-870-6005
 562-926-1774 Fax: 562-926-5778
 514-422-9760 Fax: 514-636-0328

www.durodyne.com E-mail: durodyne@durodyne.com



©2016 Duro Dyne Corporation
 Printed in USA 9/28/16
 BO040010



Submittal Form
Rectangular Internal
Gear Driven
Cable Operated Damper

ORDERING INFORMATION - INTERNAL CABLE (CONTINUED)

Description	3 foot Cable		5 foot Cable		8 foot Cable		10 foot Cable		15 foot Cable	
	Item #	Code	Item #	Code	Item #	Code	Item #	Code	Item #	Code
14x14 Rectangular Cab Op Damper	56191	GCODS141403	56192	GCODS141405	56193	GCODS141408	56194	GCODS141410	56195	GCODS141415
16x14 Rectangular Cab Op Damper	56196	GCODS161403	56197	GCODS161405	56198	GCODS161408	56199	GCODS161410	56200	GCODS161415
18x14 Rectangular Cab Op Damper	56201	GCODS181403	56202	GCODS181405	56203	GCODS181408	56204	GCODS181410	56205	GCODS181415
20x14 Rectangular Cab Op Damper	56206	GCODS201403	56207	GCODS201405	56208	GCODS201408	56209	GCODS201410	56210	GCODS201415
22x14 Rectangular Cab Op Damper	56211	GCODS221403	56212	GCODS221405	56213	GCODS221408	56214	GCODS221410	56215	GCODS221415
24x14 Rectangular Cab Op Damper	56216	GCODS241403	56217	GCODS241405	56218	GCODS241408	56219	GCODS241410	56220	GCODS241415
16x16 Rectangular Cab Op Damper	56221	GCODS161603	56222	GCODS161605	56223	GCODS161608	56224	GCODS161610	56225	GCODS161615
18x16 Rectangular Cab Op Damper	56226	GCODS181603	56227	GCODS181605	56228	GCODS181608	56229	GCODS181610	56230	GCODS181615
20x16 Rectangular Cab Op Damper	56231	GCODS201603	56232	GCODS201605	56233	GCODS201608	56234	GCODS201610	56235	GCODS201615
22x16 Rectangular Cab Op Damper	56236	GCODS221603	56237	GCODS221605	56238	GCODS221608	56239	GCODS221610	56240	GCODS221615
24x16 Rectangular Cab Op Damper	56241	GCODS241603	56242	GCODS241605	56243	GCODS241608	56244	GCODS241610	56245	GCODS241615
18x18 Rectangular Cab Op Damper	56246	GCODS181803	56247	GCODS181805	56248	GCODS181808	56249	GCODS181810	56250	GCODS181815
20x18 Rectangular Cab Op Damper	56251	GCODS201803	56252	GCODS201805	56253	GCODS201808	56254	GCODS201810	56255	GCODS201815
22x18 Rectangular Cab Op Damper	56256	GCODS221803	56257	GCODS221805	56258	GCODS221808	56259	GCODS221810	56260	GCODS221815
24x18 Rectangular Cab Op Damper	56261	GCODS241803	56262	GCODS241805	56263	GCODS241808	56264	GCODS241810	56265	GCODS241815
20x20 Rectangular Cab Op Damper	56266	GCODS202003	56267	GCODS202005	56268	GCODS202008	56269	GCODS202010	56270	GCODS202015
22x20 Rectangular Cab Op Damper	56271	GCODS222003	56272	GCODS222005	56273	GCODS222008	56274	GCODS222010	56275	GCODS222015
24x20 Rectangular Cab Op Damper	56276	GCODS242003	56277	GCODS242005	56278	GCODS242008	56279	GCODS242010	56280	GCODS242015
22x22 Rectangular Cab Op Damper	56281	GCODS222203	56282	GCODS222205	56283	GCODS222208	56284	GCODS222210	56285	GCODS222215
24x22 Rectangular Cab Op Damper	56286	GCODS242203	56287	GCODS242205	56288	GCODS242208	56289	GCODS242210	56290	GCODS242215
24x24 Rectangular Cab Op Damper	56291	GCODS242403	56292	GCODS242405	56293	GCODS242408	56294	GCODS242410	56295	GCODS242415

Duro Dyne East Division, Bay Shore, NY	631-249-9000	Fax: 631-249-8346
Duro Dyne Midwest Division, Hamilton, OH	513-870-6000	Fax: 513-870-6005
Duro Dyne West Division, Fontana, CA	562-926-1774	Fax: 562-926-5778
Duro Dyne Canada, Lachine, Quebec, Canada	514-422-9760	Fax: 514-636-0328
www.durodyne.com E-mail: durodyne@durodyne.com		

