

DuroZone®

INSTALLATION INSTRUCTIONS

Model MWC Manual Wall Control

For use with DuroZone RCD Round Diffuser Damper

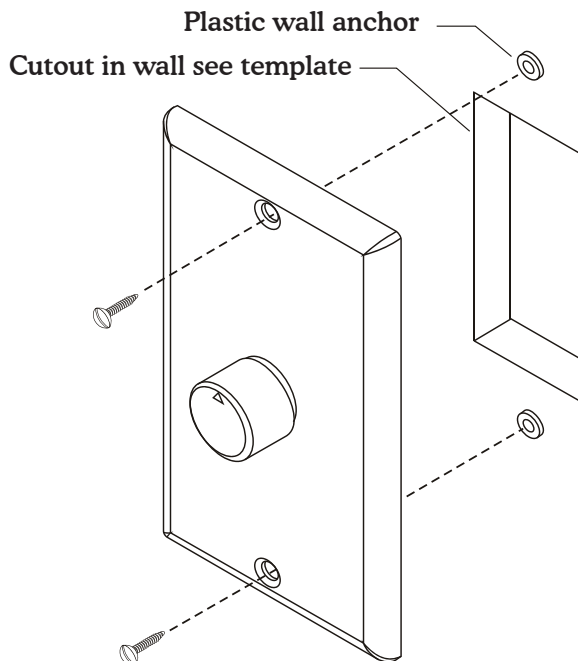


Improved Comfort

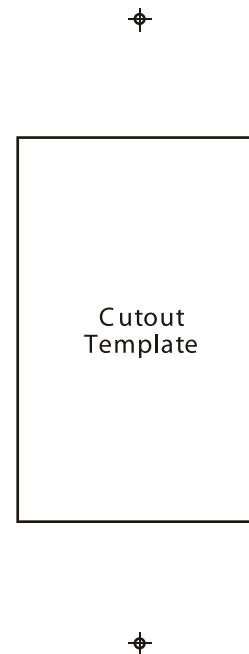
The MWC can adjust the airflow from a ceiling Diffuser (that is connected to a RCD damper) to provide just the right amount of conditioned air to eliminate over-cooling and over-heating in the work space.

Reduce Energy Usage

Limit the conditioned airflow entering a vacant area to eliminate the energy wasted in maintaining a comfortable temperature range in an unoccupied space.



Template



Place the template on the wall and mark the mounting holes and cutout corners with a sharp scribe.

Duro Dyne East • Bay Shore, NY 11706 • Phone: 631-249-9000 • Fax: 631-249-8346
Duro Dyne Midwest • Fairfield, OH 45011 • Phone: 513-870-6000 • Fax: 513-870-6005
Duro Dyne West • Santa Fe Springs, CA 90670 • Phone: 562-926-1774 • Fax: 562-926-5778
DuroDyneCanada • Lachine • Quebec • Canada • Phone: 514-422-9760 • Fax: 514-636-0328

©2009 Duro Dyne Corporation
Printed in USA 8/2009
BI035422

www.durodyne.com Email: durodyne@durodyne.com

ALL DUROZONE DAMPERS FEATURE:
• 5 year limited warranty • Controlled bypass •
Maintenance free operation • Quick install mounting
clips (except Round Dampers) • 100% factory testing •
Screwless terminals • Custom dampers and special
controls are available on request.

DuroZone®

INSTALLATION INSTRUCTIONS

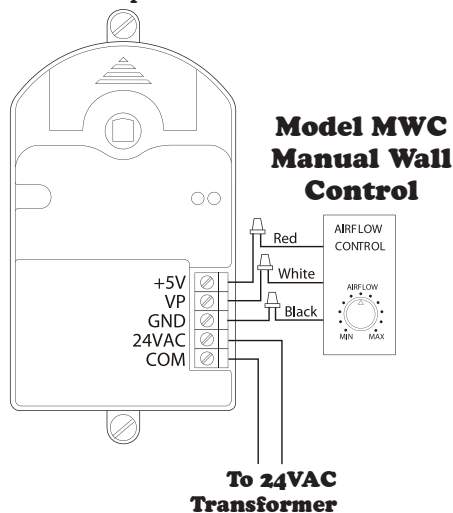
Model MWC Manual Wall Control

For use with DuroZone RCD Round Diffuser Damper



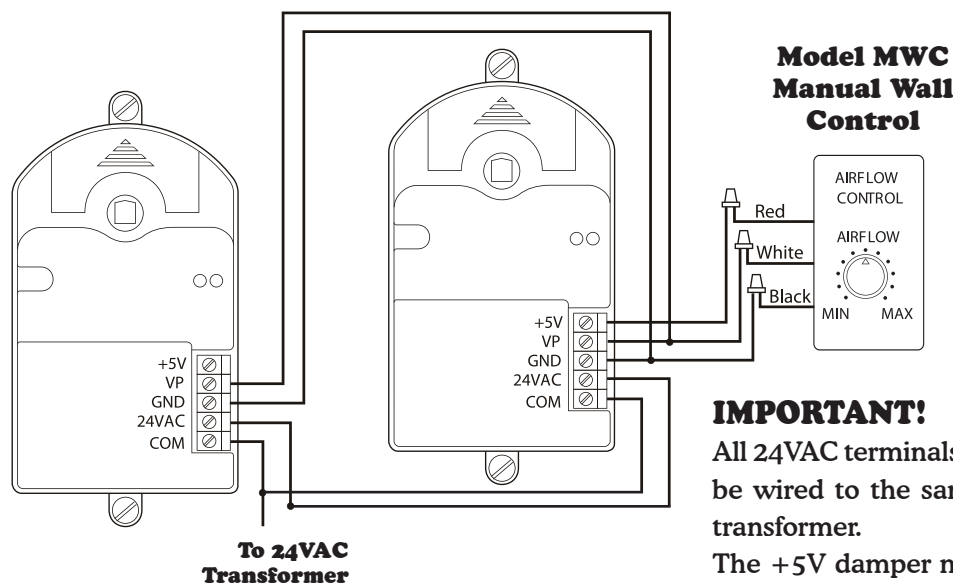
Wiring the Manual Wall Control

A RCD Round Diffuser Damper and MWC Manual Wall Control are connected using the GND, VP and +5V terminals located on the damper motor as shown below.



Wiring Using One MWC to Control Multiple RCD Dampers

A single Manual Wall Control can control up to 6 RCD dampers using the VP and GND terminals located on the damper motors. See the diagram below for details. The MIN to MAX range of the MWC corresponds to the range from the minimum flow position to fully open.



IMPORTANT!

All 24VAC terminals on the RCD motors MUST be wired to the same terminal of the 24 volt transformer.

The +5V damper motor terminal on only one RCD damper is connected to the Manual Wall Control.

Install all devices in accordance with applicable electrical and mechanical codes.

Duro Dyne East • Bay Shore, NY 11706 • Phone: 631-249-9000 • Fax: 631-249-8346
Duro Dyne Midwest • Fairfield, OH 45011 • Phone: 513-870-6000 • Fax: 513-870-6005
Duro Dyne West • Santa Fe Springs, CA 90670 • Phone: 562-926-1774 • Fax: 562-926-5778
Duro Dyne Canada • Lachine • Quebec • Canada • Phone: 514-422-9760 • Fax: 514-636-0328

©2009 Duro Dyne Corporation
Printed in USA 8/2009
BI035422

www.durodyne.com Email: durodyne@durodyne.com

ALL DUROZONE DAMPERS FEATURE:

- 5 year limited warranty
- Controlled bypass
- Maintenance free operation
- Quick install mounting clips (except Round Dampers)
- 100% factory testing
- Screwless terminals
- Custom dampers and special controls are available on request.