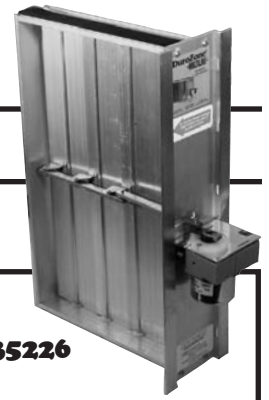


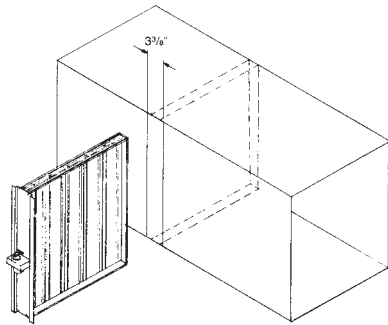
DuroZone®

INSTALLATION INSTRUCTIONS

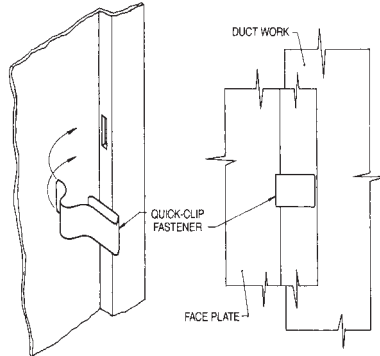
MB SERIES MULTI BLADE DAMPER



INSTALLATION



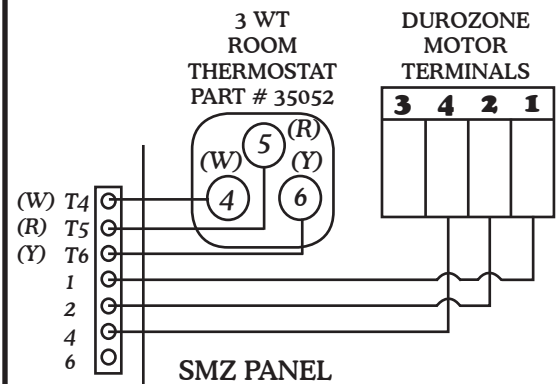
1. Cut 3 3/8" wide slot into side of sheet metal duct.
2. Slide damper into duct work.



3. Slide Quick Clip Fasteners outward to secure damper.

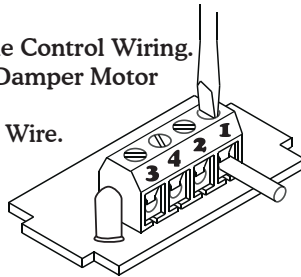
With Part#

**35235/35236/35237/35226
35227/35228/35229**



MOTOR TERMINALS

1. Trim 1/4" off the end of the Control Wiring.
2. Loosen the screw on the Damper Motor Terminal Strip.
3. Insert the trimmed Control Wire.
4. Tighten the screw down.

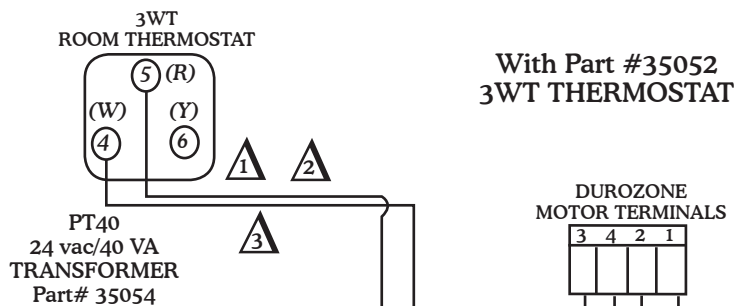


MOTOR TERMINAL IDENTIFICATION

- Terminals 1 & 2:** 24 volt input.
- Terminals 4 & 2:** Thermostat Connections - Closing 4 & 2 will open the damper. Opening 4 & 2 will close the damper.
- Terminal 3:** End switch - Connecting an equipment relay across 1 & 3 of the damper motor will activate the relay when the damper is open.

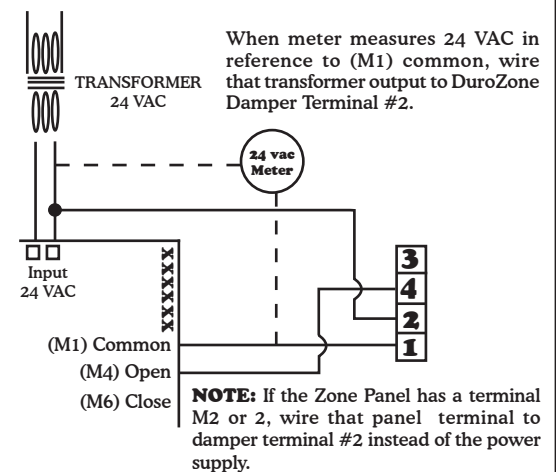
LED Indicator

Bi-Color LED indicates Red when damper is closed and Green when damper is open.



- 1 Reverse 4(W) with 6(Y) for cooling.
- 2 Use #35056 SB-1 SubBase when controlling heating and cooling air flow.
- 3 Standard Heat/Cool thermostat can be used to control Air Flow by jumping terminal W and Y and then wiring to damper terminal #4. Wire R on the thermostat to damper terminal #2.

TYPICAL WIRING FOR DUROZONE DAMPERS TO NON DUROZONE ZONING PANELS



NOTE: If the Zone Panel has a terminal M2 or 2, wire that panel terminal to damper terminal #2 instead of the power supply.

Duro Dyne East • Bay Shore, NY 11706 • Phone: 631-249-9000 • Fax: 631-249-8346
 Duro Dyne Midwest • Fairfield, OH 45011 • Phone: 513-870-6000 • Fax: 513-870-6005
 Duro Dyne West • Santa Fe Springs, CA 90670 • Phone: 562-926-1774 • Fax: 562-926-5778
 Duro Dyne Canada • Lachine • Quebec • Canada • Phone: 514-422-9760 • Fax: 514-636-0328

ALL DuroZone DAMPERS FEATURE:
 • 5 year limited warranty • Controlled bypass
 • Maintenance free operation • 100% factory testing • Screwless terminals • Custom dampers and special controls are available on request.