

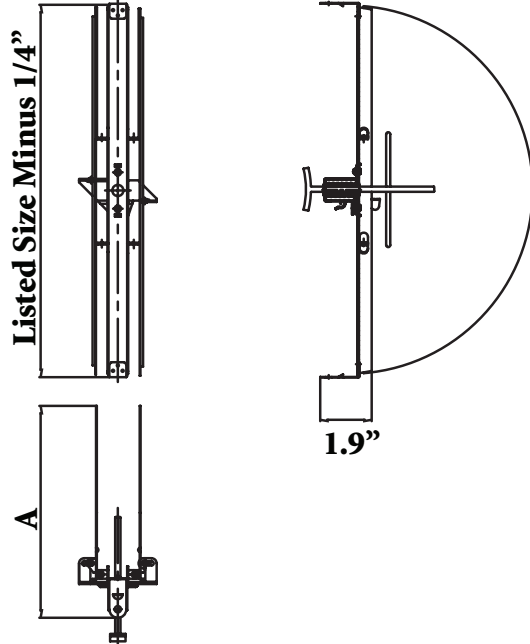
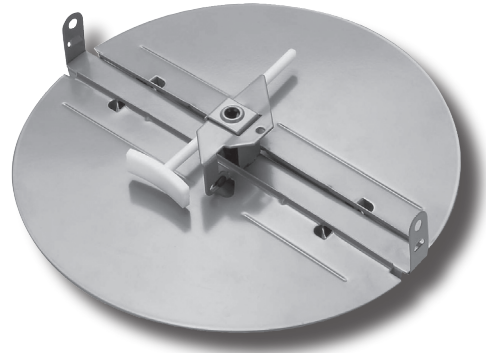
SUBMITTAL RECORD _____
 JOB _____
 LOCATION _____
 SUBMITTED TO _____
 SUBMITTAL PREPARED BY _____
 APPROVED BY _____
 DATE _____



Specification Form SNAP IN BUTTERFLY DAMPER

FEATURES

- Adjustable butterfly damper with knob control
- Steel construction
- For use with CR collar ring
- Available in brown durable finish



Size	A
6	3-7/8"
7	4-3/8"
8	4-7/8"
10	5-7/8"
12	6-7/8"
14	7-7/8"

Duro Dyne East Division, Bay Shore, NY 631-249-9000 Fax: 631-249-8346
 Duro Dyne Midwest Division, Fairfield, OH 513-870-6000 Fax: 513-870-6005
 Duro Dyne West Division, Santa Fe Springs, CA 562-926-1774 Fax: 562-926-5778
 Duro Dyne Canada, Lachine, Quebec, Canada 514-422-9760 Fax: 514-636-0328
 www.durodyne.com E-mail: durodyne@durodyne.com



©2012 DURO DYNE CORP.
 Printed in the USA 5/12
 BO000356