

SUBMITTAL RECORD _____
 JOB _____
 LOCATION _____
 SUBMITTED TO _____
 SUBMITTAL PREPARED BY _____
 APPROVED BY _____
 DATE _____



Specification Form 2CDR

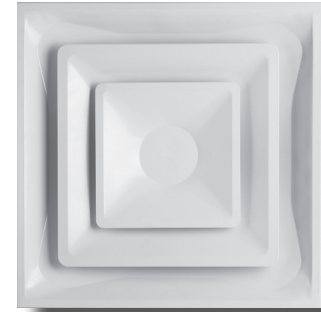
2-CONE DIFFUSER (IMPORT)

STANDARD CONSTRUCTION

FRAME: COLD ROLLED DQSK STEEL, NOMINAL WALL THICKNESS OF 0.026"

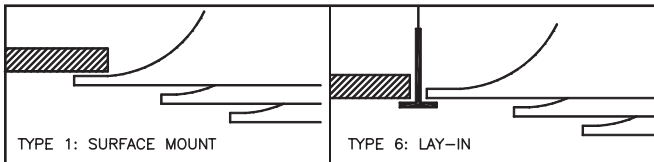
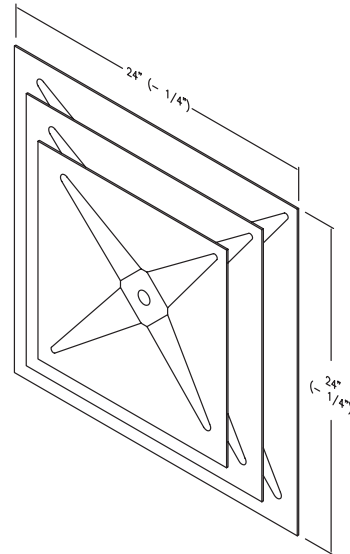
FINISH: WHITE POWDER COAT (STANDARD)

OPTIONS: FACTORY OR FIELD INSTALLED BUTTERFLY DAMPER (BCD) FACTORY OR FIELD INSTALLED OPPOSED BLADE DAMPER (OBR) ,AUXILIARY MOUNTING FRAME, FOR GYPSUM BOARD, INSULATED BACKPAN, FOURTH CONE ACCESSORY AVAILABLE

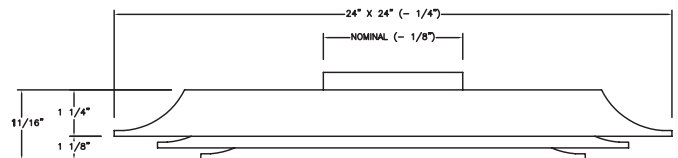


FEATURES

- T-bar ceiling application
- Steel construction
- Two cone fixed core
- Un-insulated and insulated are available
- Fixed collar (6", 8", 10", 12", 14")
- 360-degree air deflection
- Available in white durable finish
- Also available as domestic (CD)



STEP DOWN CEILING DIFFUSER, 2-CONE, 4-WAY		
ITEM#	DIMENSIONS	NECK DIAMETER
2CD06	24" x 24"	6"
2CD08	24" x 24"	8"
2CD10	24" x 24"	10"
2CD12	24" x 24"	12"
2CD14	24" x 24"	14"

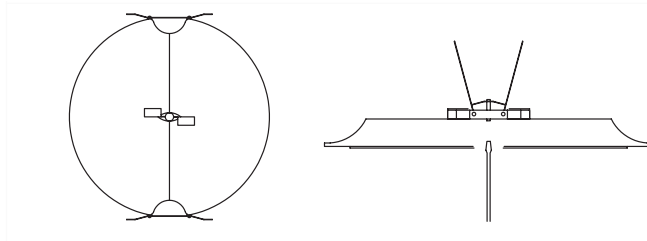


Duro Dyne East Division, Bay Shore, NY	631-249-9000	Fax: 631-249-8346
Duro Dyne Midwest Division, Fairfield, OH	513-870-6000	Fax: 513-870-6005
Duro Dyne West Division, Santa Fe Springs, CA	562-926-1774	Fax: 562-926-5778
Duro Dyne Canada, Lachine, Quebec, Canada	514-422-9760	Fax: 514-636-0328
www.durodyne.com E-mail: durodyne@durodyne.com		



©2013 DURO DYNE CORP.
 Printed in the USA 7/13
 BO000342

BUTTERFLY DAMPER (SOLD SEPERATELY)



STEP DOWN CEILING DIFFUSER 2-CONE, 4-WAY PERFORMANCE DATA

NECK VELOCITY	FPM	400	500	600	700	800	1000	1200	1400	1600
6" Diameter AK. = .76	CFM	80	100	120	140	160	200	240	275	320
	Pt	.040	.054	.081	.108	.125	.220	.306	.420	.550
	Throw	1-5	2-6	3-7	4-7	4-8	5-8	5-9	6-9	7-10
	NC	20	20	20	21	22	24	25	26	28
8" Diameter AK. = .135	CFM	140	175	210	245	280	350	420	490	560
	Pt	.021	.033	.047	.063	.082	.128	.183	.245	.325
	Throw	1-5	1-6	2-8	2-8	3-10	4-3	5-13	.6-17	6-17
	NC	20	20	20	20	25	29	33	37	42
10" Diameter AK. = .213	CFM	220	270	330	380	435	545	655	765	870
	Pt	.026	.039	.057	.074	.097	.150	.215	.293	.372
	Throw	1-6	2-9	3-10	4-13	5-13	6-15	6-15	9-18	9-18
	NC	20	20	20	20	25	33	37	40	44
12" Diameter AK. = .306	CFM	320	390	470	550	630	785	990	1100	1255
	Pt	.024	.037	.047	.075	.097	.150	.245	.310	.410
	Throw	2-7	3-8	3-9	4-12	5-12	5-14	7-18	9-18	9-18
	NC	20	20	23	26	29	36	42	43	47
14" Diameter AK. = 417	CFM	425	540	635	745	850	1060	1270	1490	1605
	Pt	.033	.054	.072	.100	.127	.204	.280	.395	.500
	Throw	3-9	4-11	4-13	5-16	6-16	7-19	9-19	11-19	11-27
	NC	20	20	23	26	29	35	39	43	47
15" Diameter AK. = 447	CFM	490	615	735	860	980	1225	1475	1720	1965
	Pt	.035	.057	.075	.108	.135	.218	.312	.431	.579
	Throw	4-11	5-13	5-15	6-18	7-18	8-22	10-22	13-26	13-32
	NC	20	20	24	27	30	36	40	44	48

NOTE:

1. Noise based on 10db room absorption.

Duro Dyne East Division, Bay Shore, NY	631-249-9000	Fax: 631-249-8346
Duro Dyne Midwest Division, Fairfield, OH	513-870-6000	Fax: 513-870-6005
Duro Dyne West Division, Santa Fe Springs, CA	562-926-1774	Fax: 562-926-5778
Duro Dyne Canada, Lachine, Quebec, Canada	514-422-9760	Fax: 514-636-0328
www.durodyne.com E-mail: durodyne@durodyne.com		



©2013 DURO DYNE CORP.
Printed in the USA 7/13
BO000342