

PV1 Perfect Vaner

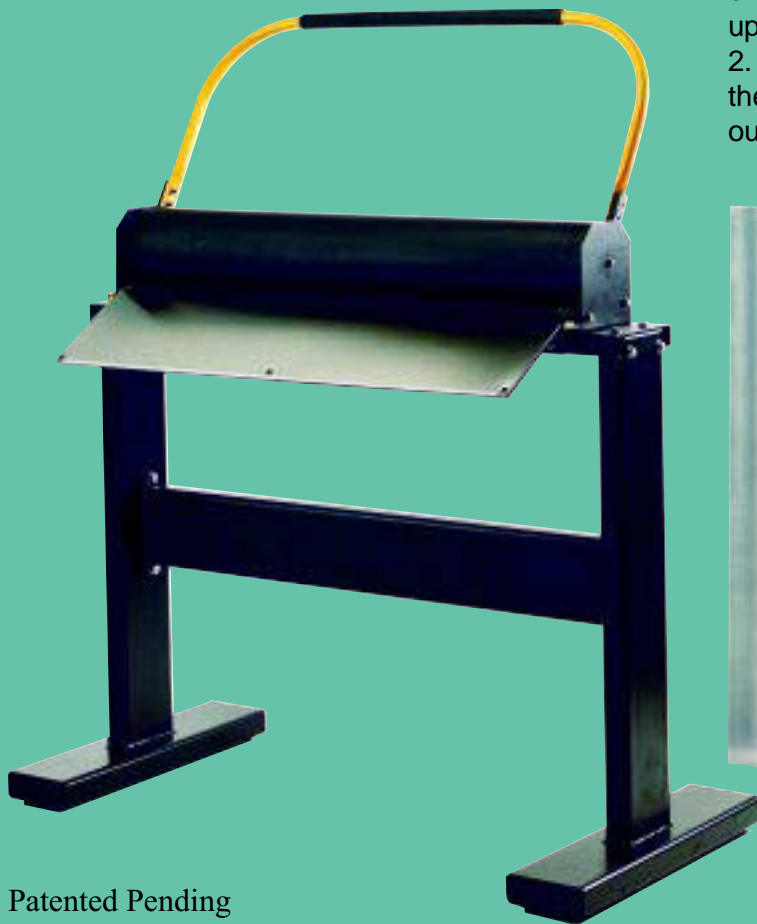
Single Wall Turning Vane Assembly Machine

For many years it was believed that "double-wall" turning vanes offered better performance than "single-wall" turning vanes. More recently, testing has shown "single-wall" turning vanes to be more efficient than "double-wall" turning vanes. "Single-wall" turning vanes require less material than "double-wall" turning vanes. The Duro Dyne PV1 makes it possible for any shop to produce the preferred "single-wall" turning vanes economically.

INNOVATIVE: Simplicity of design and operation are the basis for the PV1's appeal. The unique and innovative spring steel forming sheet eliminates the need for expensive forming dies or rollers.

VERSATILE: The PV1 is capable of producing "single-wall" turning vanes out of standard 20 or 22 gage galvanized steel up to 36" in length. The PV1 can also form "single-wall" turning vanes out of 1/16" Aluminum. The PV1 can be bench mounted when used without the provided leg set or freestanding when used with the provided leg set.

EASY OPERATION: 1. Simply insert a flat sheet of 20 or 22 gage galvanized steel 7 1/16" wide and up to 36" long between the roller and the spring steel. 2. Pull down the cushion gripped handle. 3. Return the handle to the original starting position and pull out the completed "single-wall" turning vane.



RELIABLE AND STRONG: The PV1 uses few moving parts and no pneumatic or electric components. The unit is comprised of high strength steel and permanently lubricated bronze bushings. It is virtually maintenance free.

ORDERING INFORMATION:

Part #	Description
43005	PV1 Perfect Vaner Leg Set Shipped Unassembled

Patented Pending



DURO DYNE EAST
130 ROUTE 110
FARMINGDALE, NY 11735
631-249-9000
FAX: 631s-249-8346

DURO DYNE MIDWEST
3825 SYMMES ROAD
FAIRFIELD, OHIO 45011
513-870-6000
FAX: 513-870-6005

DURO DYNE WEST
15005 MARQUARDT AVE.
SANTA FE SPRINGS, CA 90670
562-926-1774
FAX:562-926-5778

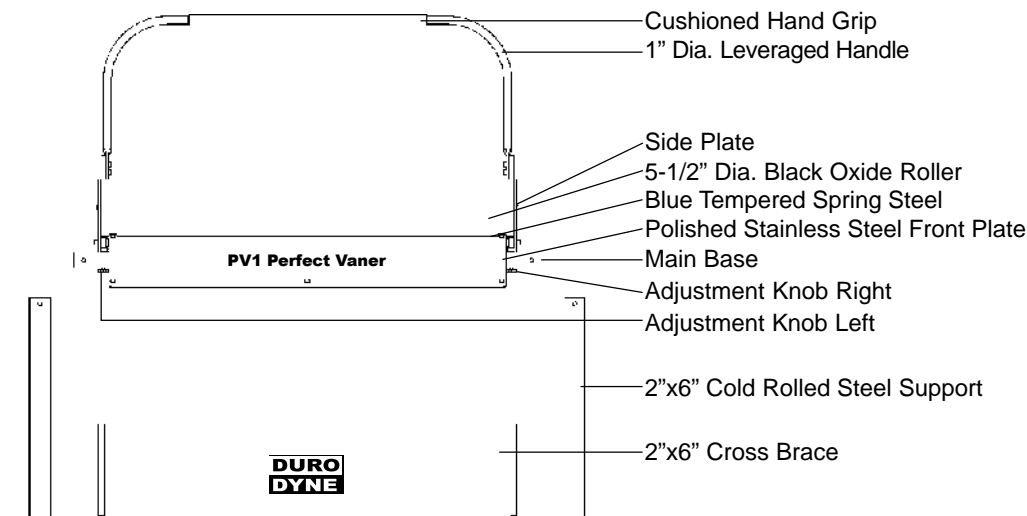
DURO DYNE CANADA
5030 FRANCOIS CUSSON
LACHINE, QUEBEC H8T 1B3
514-422-9760
FAX: 514-636-0328

©1999 Duro Dyne Corporation
Printed in USA
PV1 Perfect Vaner 1199

OPERATION:

1. Begin with a strip of 20 or 22 gage galvanized steel 7 1/16" wide up to 36" in length.
2. Insert the galvanized strip in between the spring steel and the large roller. Adjust the 2 knobs located under the main base until material is snug but can be slid in or out of the machine.
3. Starting with the handle in the full upright position, pull down the handle until the galvanized steel strip is hidden from view. Return the handle to the original upright position.
4. Remove the finished turning vane.
5. Repeat the process for additional turning vanes. (Further adjustment is not required unless the gage of the material of the turning vane or the thickness changes.)

LOCATION OF FEATURES:



SPECIFICATIONS:

Electrical Requirements:	NONE
Air Requirements:	NONE
Approximate Weight (w/ Leg Set):	265 lbs.
Turning Vane Size (finished)	4-1/2" Radius
Turning Angle Nominal:	90 Degrees
Turning Vane Thickness:	20 or 22 gage
Turning Vane Width When Flat:	7-1/16"
Turning Vane Length:	Up to 36"
Turning Vane Type:	Single-Wall

* Use only with Duro Dyne Type VR2

