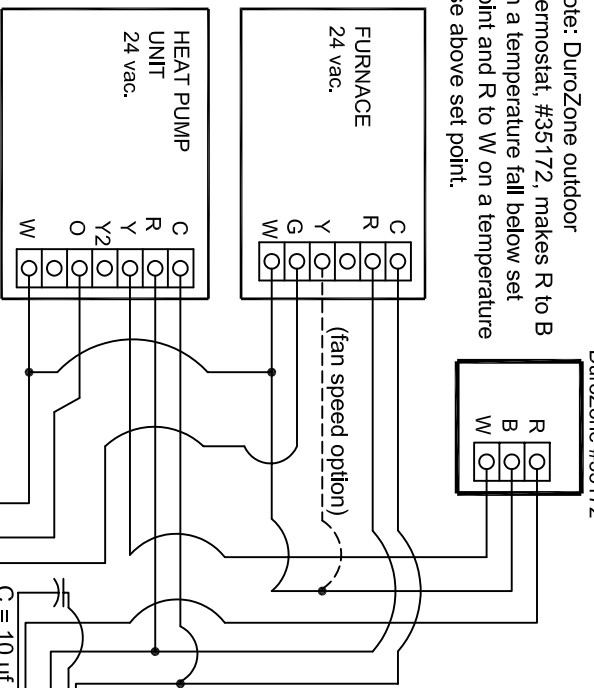


DuroZone JTZ-HP Part #35235 typical wiring diagram for a single stage heat pump unit with a gas or oil furnace, including an outdoor thermostat for equipment selection.

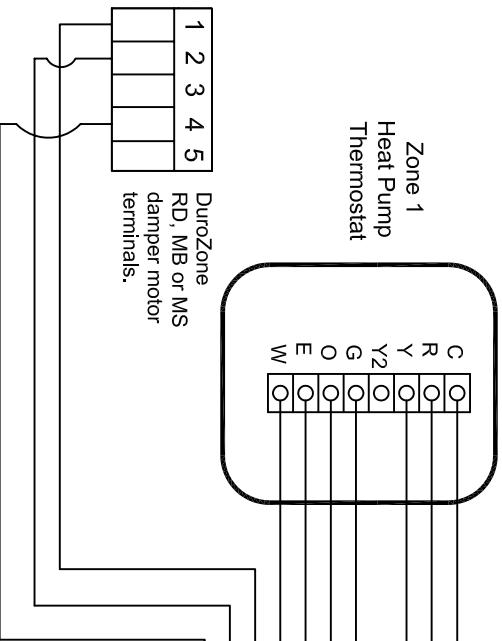
OUTDOOR THERMOSTAT
DuroZone #35172

Note: DuroZone outdoor thermostat #35172, makes R to B on a temperature fall below set point and R to W on a temperature rise above set point.



PT-40 Transformer, item #35054,
24 vac, 40 VA,
Can supply up to 4 DuroZone dampers.

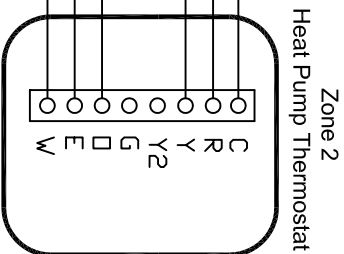
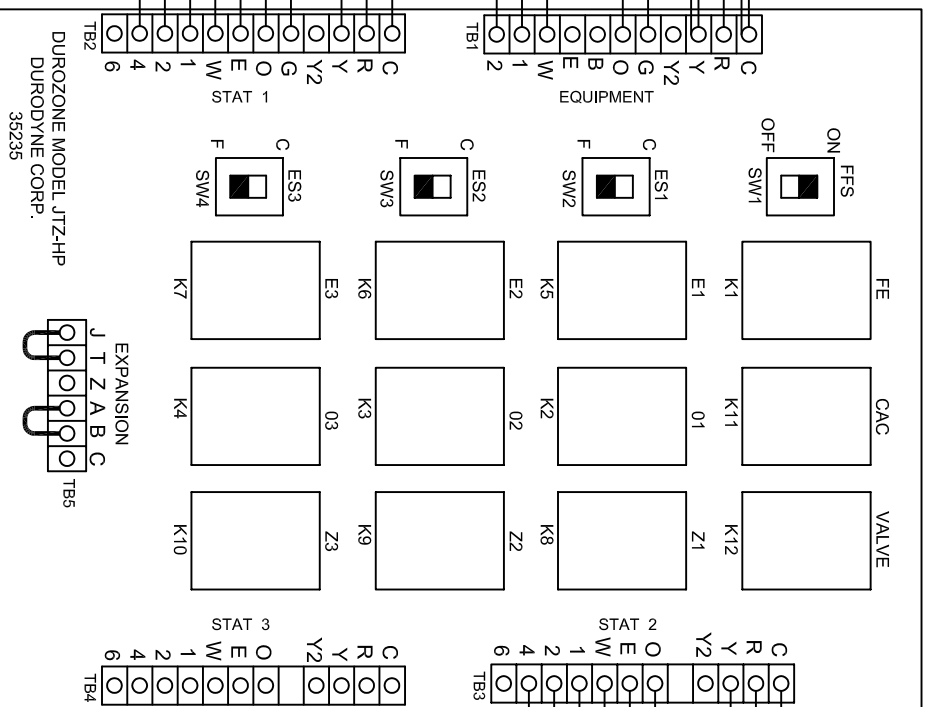
Note: wire above transformer strictly to the terminals shown.



Note on air handler:
Some air handlers have a Y terminal for fan speed; this Y and the Y terminal on the heat pump should both be wired to the Y terminal on the panel equipment strip.
Note on thermostats: wire terminal G on the zone 1 thermostat only, this will prevent any feedback problem.

IMPORTANT: when using an outdoor thermostat, a capacitor must be installed between terminals C and Y on the panel equipment strip, (10 µf 100V).

DuroZone



Zone 3, if applicable, would be wired following the same principal as zone 2.

Notes on heat pump:
1. The Y2 terminal is optional, for second stage equipment.
2. Some heat pumps have a changeover valve activated in the heat mode; if this is the case, wire the B terminal on the panel equipment strip to the B terminal on the heat pump equipment strip.

When only one JTZ-HP board is used on a system, the jumpers in the expansion section between J and T as well as A and B must be in place.

DUROZONE MODEL JTZ-HP
DURODYNE CORP.
35235

